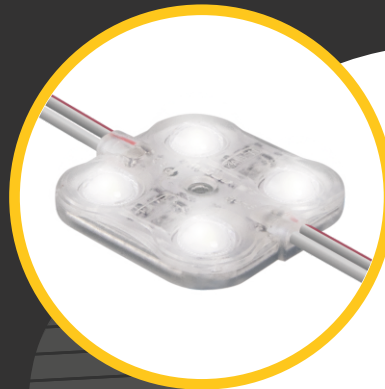
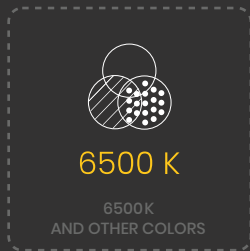
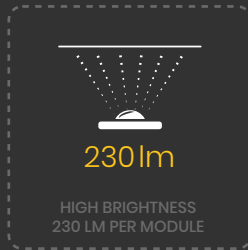
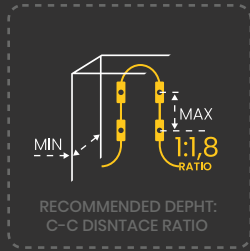
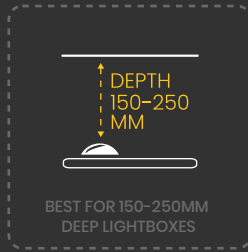


Light-emitting diode module Prism P4 HE 2W

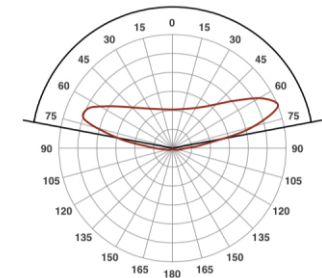
TECHNICAL INFORMATION

LED type	2835
Input	12/24V DC
Color temperature	6500 K
Beam angle	165°
Protection level	IP 67
Center-to-center distance	340 mm
Working temperature	-30°C + 50°C
Available colors	●
Power	2 W
Light output	230 lm

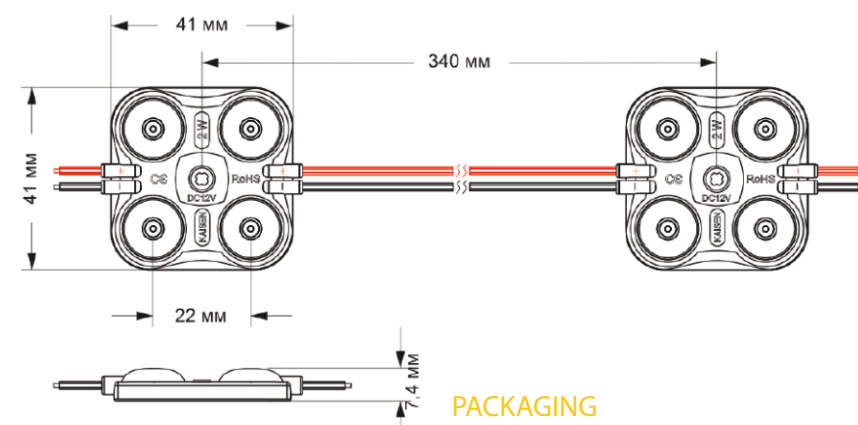


LIGHT DISTRIBUTION GRAPH

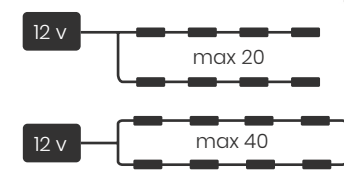
Beam angle is 165°



DIMENSIONS



CONNECTION



PACKAGING

Packing type	Chain	Package	Box
Quantity	20 pcs	100 pcs	1200 pcs
Weight	0,38 kg	3,78 kg	22,7 kg